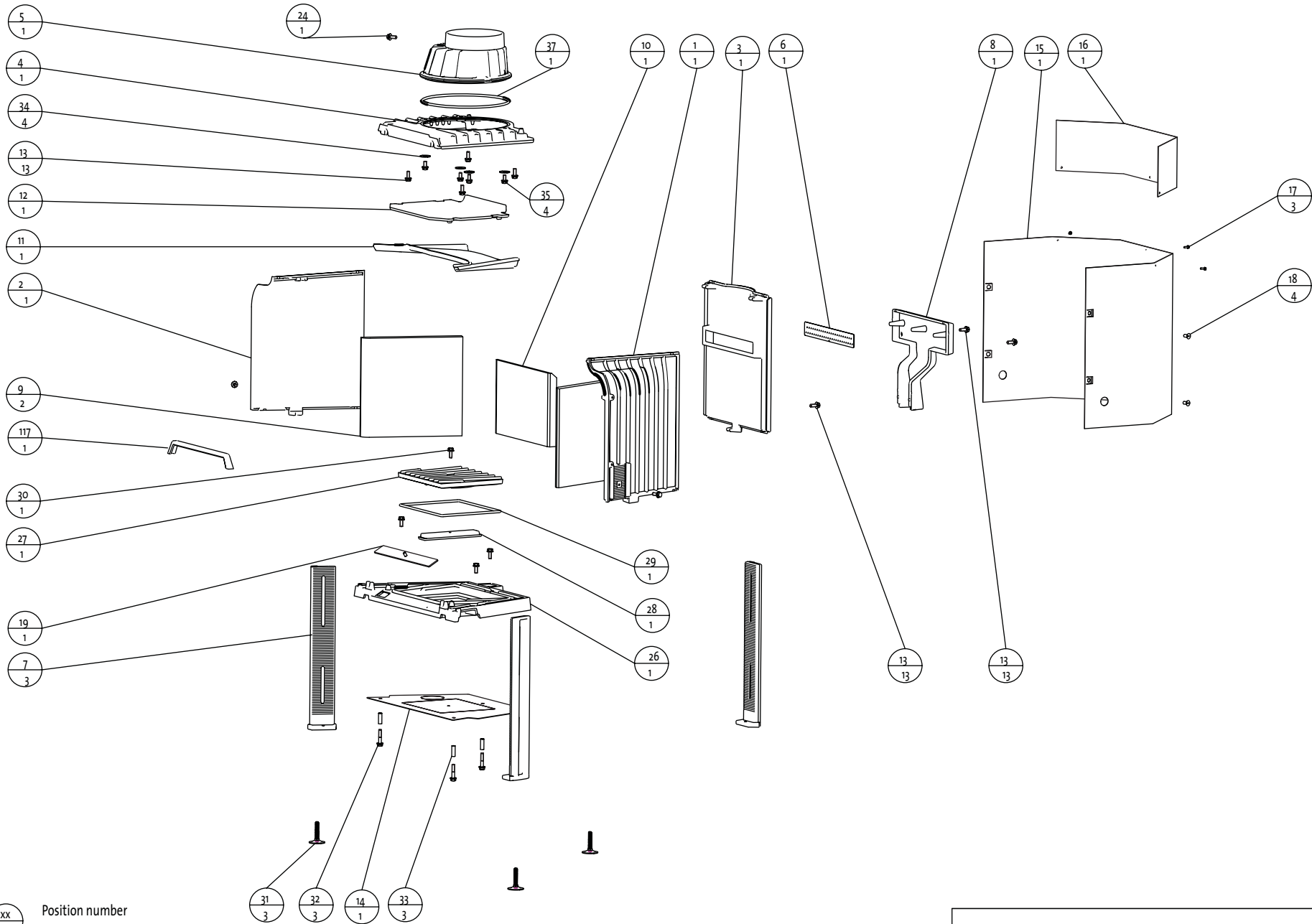


xx — Position number
 yy — Quantity

Delliste / part list Jøtul I 400 FL		
Jøtul AS Fredrikstad Norway	Draw. no: 3-3481-Poo Sheet 2/4	Date: Sept. 07



xx	Position number
yy	Quantity

Delliste / part list Jøtul I 400 common parts burnchamber

Jøtul AS
Fredrikstad Norway

Draw. no: 3-3481-Poo
Sheet 4/4

Date: Sept. 07